

# **MULTISTACK**<sup>®</sup>



## **Modular Water Cooled Oil-free Centrifugal Chillers**

**Product Series**

MTW-M

**Cooling Capacity**

90-600RT(316-2110KW)

**Energy Efficiency**

IPLV : **9.3**

**AHRI** CERTIFIED<sup>®</sup>  
[www.ahridirectory.org](http://www.ahridirectory.org)

Water-Cooled Chillers  
AHRI Standard 550/590

C

# |||| MULTISTACK®

Magnetic levitation technology and 100% oil-free operation

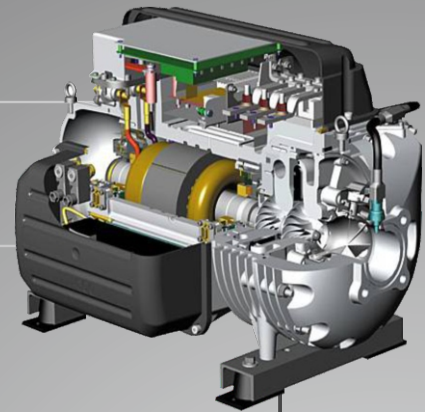
80—300Hz variable frequency drive (VFD) control

15%—100% variable water flow (VWF) control

Modular design for easy installation and high flexibility

**40%**  
energy saving

Comparison with traditional chillers



Multistack Malaysia Sales & Services Sdn. Bhd. (1174784-V)  
48-1, Jalan 17/155C, Bandar Bukit Jalil,  
57000 Kuala Lumpur.  
Tel/Fax: +603-8999 4186  
E-mail: anthony.gan@multistack.com.my

[www.multistack.com.au](http://www.multistack.com.au)  
[www.multistack.com](http://www.multistack.com)  
[www.multistack.com.cn](http://www.multistack.com.cn)



# Flooded Water Cooled Oil-free Centrifugal Chillers

**Product Series**

MTW-F

**Cooling Capacity**

120-1000RT(422-3517KW)

**Energy Efficiency**

IPLV : **11.2**

**AHRI** CERTIFIED®  
[www.ahridirectory.org](http://www.ahridirectory.org)

Water-Cooled Chillers  
AHRI Standard 550/590

C

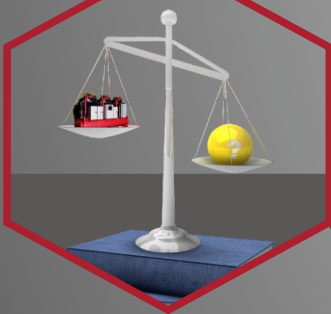
# |||| MULTISTACK®

Magnetic levitation technology and 100% oil-free operation

80—300Hz variable frequency drive (VFD) control

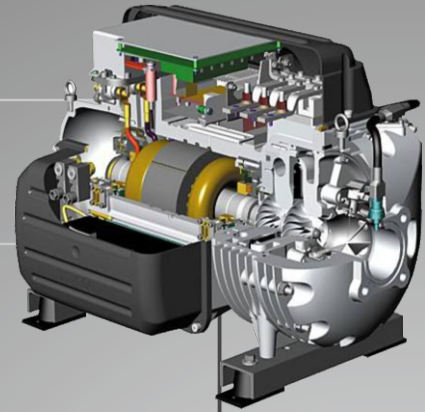
50%—100% variable water flow (VWF) control

Compact size and light weight



**50%**  
energy saving

Comparison with traditional chillers



Multistack Malaysia Sales & Services Sdn. Bhd.(1174784-V)  
48-1,Jalan 17/155C,Bandar Bukit Jalil,  
57000 Kuala Lumpur.  
Tel/Fax: +603-8999 4186  
E-mail: anthony.gan@multistack.com.my

[www.multistack.com.au](http://www.multistack.com.au)  
[www.multistack.com](http://www.multistack.com)  
[www.multistack.com.cn](http://www.multistack.com.cn)



# Modular Air Cooled Oil-free Centrifugal Chillers

Product Series

MTA-F

Cooling Capacity

80-300RT(281-1055KW)

Energy Efficiency

IPLV : **6.77**

**AHRI** CERTIFIED®  
[www.ahridirectory.org](http://www.ahridirectory.org)

Water-Cooled Chillers  
AHRI Standard 550/590

C

# MULTISTACK®

Magnetic levitation technology and 100% oil-free operation

80—300Hz variable frequency drive (VFD) control

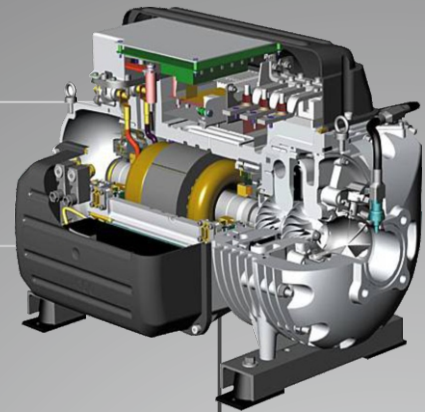
50%—100% variable water flow (VWF) control

Sound level as low as 70dB(A)



**30%**  
energy saving

Comparison with traditional chillers



Multistack Malaysia Sales & Services Sdn. Bhd. (1174784-V)  
48-1, Jalan 17/155C, Bandar Bukit Jalil,  
57000 Kuala Lumpur.  
Tel/Fax: +603-8999 4186  
E-mail: anthony.gan@multistack.com.my

[www.multistack.com.au](http://www.multistack.com.au)  
[www.multistack.com](http://www.multistack.com)  
[www.multistack.com.cn](http://www.multistack.com.cn)